

QUICKJUMP MODULAR MOUNT

Operator Manual

Model: MM-132



NOTE TO INSTALLERS

Always Read Instructions Before Use

The Operator Manual contains information relating to the proper use of the QUICKjump Modular Mount and includes all product registration and warranty information. This document may only be removed by the end user. Ensure that this Operator Manual is readily available to operators at all times.

Head Rush Technologies QUICKjump Modular Mount Manual
P/N 05070097102

Head Rush Technologies products are covered by a number of patents, including U.S. Patents 8,490,751; 8,851,235; 9,016,435; 8,851,235 and D654,412 & corresponding patents/applications in the USA and in other countries worldwide.

ACCESSORY OF THE

QUICK
jump

TABLE OF CONTENTS

SAFETY INFORMATION	6
Symbols Used in this Manual	6
WARRANTY CONDITIONS	7
Customer Responsibility	7
DESCRIPTION	9
SPECIFICATIONS	10
QUICKJUMP MODULAR MOUNT PARTS	11
UNPACKING	12
Receipt of the QUICKjump Platform	12
INSTALLATION	13
Precautions	13
Standards	13
<i>Anchor Points</i>	13
<i>Secondary Connectors</i>	14
Location Selection	14
Mounting	15
<i>Mounting Points</i>	15
<i>Strap Mounting</i>	16
<i>Bolt Mounting</i>	17
ASSEMBLING	18
OPERATION	21
Operator Training	21
INSPECTION & MAINTENANCE	22
Safety Precautions	22
Daily Inspection	22
Weekly Inspection	22
Annual Inspection	23
Wear Limits	23
Service Life	23
MANUFACTURER'S DETAILS	24



IMPORTANT SAFETY NOTICE

Recreational Descent Is A Dangerous Activity

Read Before Installation & Operation

Failure by the installer or operator to heed any and all instructions, warnings and cautions for the correct installation, operation, care, and maintenance of the QUICKjump Modular Mount and associated equipment may result in serious injury or death.

QUICKjump Modular Mount equipment is designed and specified for use in the recreational adventure amusement industry. Use of the QUICKjump Modular Mount for any purposes other than that intended by the manufacturer is not permitted.

Owners and operators of the QUICKjump Modular Mount are responsible for the safety and supervision of any person using the QUICKjump Modular Mount and are required to assure that proper installation and operation procedures are followed at all times. Owners and operators are required by the manufacturer to read, understand, and follow all instructions in this Operator Manual regarding the correct installation and operation of the QUICKjump Modular Mount prior to use. Proper installation requires careful design and planning using the QUICKjump Modular Mount components. Owners and operators are encouraged to seek the advice of a qualified professional regarding the instructions in this manual.

These instructions must be made readily available to the operator and users at all at all times. Prior to installation and use, all owners, installers, and operators must have read and shown to have understood all instructions, labels, markings, and safety information pertaining to the installation, operation, care, and maintenance of the QUICKjump Modular Mount system, its component parts, and all associated hardware. Failure to do so may result in equipment damage, serious injury, and/or death.

This manual does not cover the QUICKjump System. For more information, refer to the QUICKjump Operator Manual.

Health and Safety

Owners and operators must abide by all standards, international, federal, state and provincial laws, and any specific health and safety regulations pertaining to the installation and use of this product.

Site Rescue Plan

Owners and operators must have devised an emergency rescue plan for any user in distress at all sites operating QUICKjump Modular Mount. Operators must inform users of the QUICKjump Modular Mount of the procedures for rescuing a

user in distress prior to use. Site rescue and safety plans should be in lieu of the QUICKjump Modular Mount system and separated in functionality, strength, and safety measures.



WARNING

Using the QUICKjump Modular Mount for rescue and recovery can put the load points, devices, and operators at risk for injury or death and could potentially overload the intended anchor points or structure if used improperly.

SAFETY INFORMATION

Symbols Used in this Manual

The following safety symbols are used throughout this manual to highlight potential dangers. One or more precautions may be associated with practices and procedures described within this manual. Failure to adhere to any precautions highlighted can result in death, serious injury, and equipment damage.

Ensure that you read and understand all safety procedures related to the working environment and the task you are undertaking.



DANGER

Indicates a hazardous situation exists that, if not avoided, will result in serious injury or death.



WARNING

Indicates a potentially hazardous situation that, if not avoided, could result in serious injury or death.



CAUTION

Indicates a potentially hazardous situation that, if not avoided, may result in injury or equipment damage.



NOTE

Indicates an action that must be taken to ensure personal safety and prevent damage to property or equipment.



CARE FOR THE ENVIRONMENT

Take care to minimize impact on the environment when carrying out this procedure.

WARRANTY CONDITIONS

The QUICKjump Modular Mount is warranted against factory defects in materials and workmanship, excluding specific field replaceable wear parts, for a period of two (2) years from date of purchase. This warranty applies only to the original purchaser, and is contingent upon the owner/operator using and maintaining the system, associated hardware, and individual parts in accordance with the instructions, including the requirement to maintain regular inspection as described in all applicable manuals.

THIS WARRANTY IS IN LIEU OF OTHER WARRANTIES, EXPRESS OR IMPLIED, AND ANY IMPLIED WARRANTY OF MERCHANTABILITY OR FITNESS FOR A PARTICULAR PURPOSE IS HEREBY EXPRESSLY EXCLUDED.

The sole remedy for breach of this warranty, or for any claim in negligence or strict liability in tort, is the repair or replacement of any defective parts at the discretion of the manufacturer. Parts claimed to be defective shall be returned to the Head Rush Technologies factory, transportation prepaid, for inspection to determine to its satisfaction that said part(s) are defective.

This warranty is null and void if parts other than genuine parts are used, or if any modifications or services have been performed on the system, associated hardware, and individual parts by anyone other than an authorized Head Rush Technologies servicing agent. This warranty does not cover any damages resulting from abuse to the system, associated hardware, and individual parts, damage in transit, or any other damage beyond the control of Head Rush Technologies. Head Rush Technologies makes no warranties in respect to trade accessories or component parts which are not made by Head Rush Technologies. Head Rush Technologies expressly excludes from this warranty the replacement of "Specific Field Replaceable Wear Parts," which include the ratchet straps and connectors.

No person, agent, or distributor is authorized to give any warranty, other than the one herein expressed, on behalf of Head Rush Technologies, or to assume for it any liability pertaining to such products. Head Rush Technologies expressly disclaims any implied guarantee of merchantability, or claim as to whether the system, associated hardware, and individual parts is suited for a particular purpose. Purchaser agrees that Head Rush Technologies shall not be held liable to purchaser/operator for damages of any kind, including but not limited to, lost or projected profits, equipment down time, or any losses considered to be caused by non-operation or servicing down time of the equipment.

Customer Responsibility

The following items are considered the responsibility of the customer and are therefore not applicable for the purposes of the warranty. No warranty is expressed or implied in regard to these items.

- Routine maintenance and inspection.
- Normal replacement of service and wear items.

-
- Replacements required because of abuse, misuse or improper operation of equipment by the installer or operator.
 - Normal deterioration due to use and exposure to the elements.
 - Receiving proper training and understanding proper use, capabilities, limitations, and risk associated with this system, associated hardware, and individual parts.
 - Ensuring all hardware and secondary connectors meet all applicable standards and are suitable for the application.

This warranty is subject to the following of the requirements of the Operator Manual supplied, manufacturer's instructions, and the advice given by authorized Head Rush Technologies service technicians.

DESCRIPTION

The QUICKjump Modular Mount is a versatile mounting system designed for use outdoors. It is meant to be used on trees, utility poles, or similar structure to provide an anchor point for a QUICKjump, TRUBLUE, or similar devices. The QUICKjump Modular Mount is rated to support a live loading limit of 10 kN (2248 lbs.)

Installation, maintenance, and use of the platform must be carried out in accordance with the instructions in this manual.

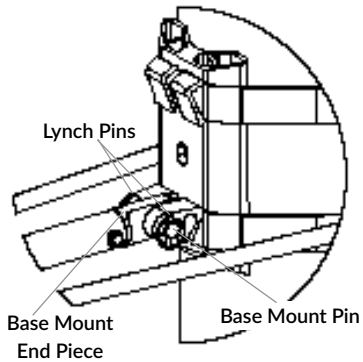
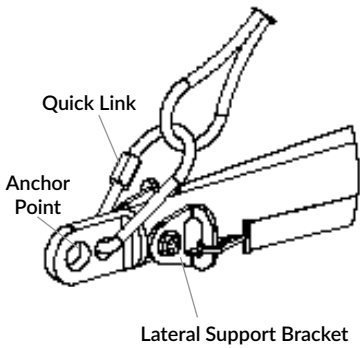
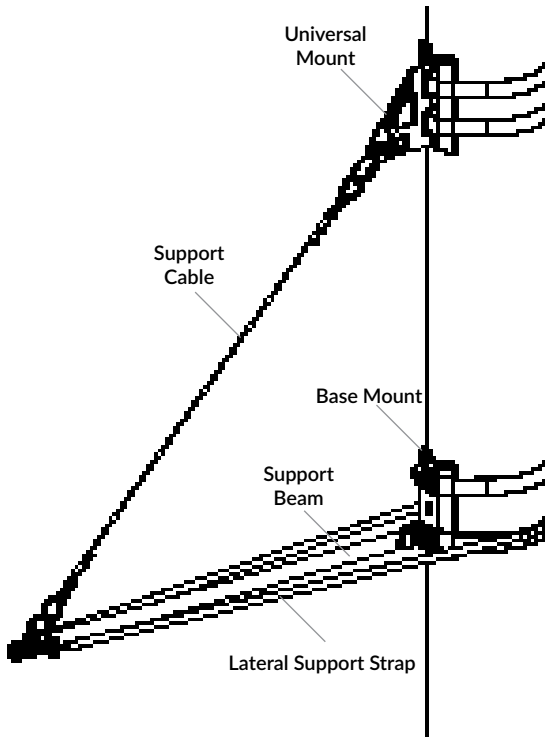
SPECIFICATIONS

MODEL	MM-132	
CLASSIFICATION	Adventure or Recreation or Amusement	
DIMENSIONS	155 cm × 161 cm × 18 cm (61" × 63.5" × 7")	
MATERIALS	FRAME	Aluminum Alloy
	HARDWARE	Zinc Plated & Stainless Steel
MAXIMUM WEIGHT	150 kg (330 lbs)	
MIN/MAX TREE DIAMETER	30 cm ≤ Dia. ≤ 120 cm (12" ≤ Dia. ≤ 48")	



The QUICKjump modular mount is intended for use with devices that have dynamic properties to dissipate loads. Do not use with static ropes or devices which may shock load the mount.

QUICKJUMP MODULAR MOUNT PARTS



UNPACKING

Receipt of the QUICKjump Modular Mount

A QUICKjump Modular Mount contains:

- 1 × Modular Mount Support Beam
- 1 × Universal Mount
- 1 × Base Mount
- 1 × Mounting Pin
- 2 × Lynch Pins
- 1 × Support Cable
- 2 × Quick Links
- 1 × 2.5cm × 6 m (1" × 20') Lateral Support Ratchet Strap
- 1 × Operator Manual

INSTALLATION

Precautions



ALWAYS USE DESIGNATED MOUNTING POINTS AND METHODS

Never install the QUICKjump Modular Mount using any part of the system apart from the designated mount points. Incorrect mounting can result in death or serious injury



HARD IMPACTS MAY RESULT IN STRUCTURAL DAMAGE

Hard impacts to the QUICKjump Modular Mount can result in serious damage to mounting points and the structure and may compromise safety of operation. If the QUICKjump Modular Mount is subject to a hard impact, remove it from duty and return the mount to an authorized service agent for inspection.



LEAVE THIS OPERATOR MANUAL WITH THE QUICKJUMP MODULAR MOUNT UNTIL INSTALLATION IS COMPLETE

The Operator Manual contains information relating to the proper use of the QUICKjump Modular Mount and warranty information. The Operator Manual may only be removed by the end user. Ensure this manual is readily available to QUICKjump Modular Mount users at all times.

Standards

Prior to installation, all operators must be familiar with the requirements of all relevant standards for anchor points, hardware, and equipment used with the QUICKjump Modular Mount.

ANCHOR POINTS

All anchor points and connectors used with the QUICKjump Modular Mount must conform to any federal and state requirements for such systems, associated hardware, and individual parts.

Minimum requirements for anchor points must conform to the following safety standards:

- EN 12572 - Climbing wall anchor points
- EN 795 - Anchor Devices

The location and anchor points for the QUICKjump Modular Mount should comply with the following:

- Minimum load capacity of the anchor point(s)—10kN (2248 lbf) in expected directions of application.
- Anchor points should be of a suitable size to correctly install any mounting hardware.

SECONDARY CONNECTORS

All secondary connectors and hardware used in the installation of the QUICKjump Modular Mount must be of compatible size, shape, and strength for the mounting point to which they are attached and conform to the following safety standards:

- EN 362 - Types of connectors for personal protection
- EN 12275 - Types of connectors for mountaineering

Location Selection

The QUICKjump Modular Mount is to be mounted on a tree, pole, or similar structure. When selecting a location to mount the QUICKjump Modular Mount, always check:

- The mounting tree or pole have a minimum diameter of 30.5 cm (12") and the maximum diameter of 120 cm (48").
- The structure must have a minimum load capacity of 10 KN (2248 lb) and conform to all federal and state requirements for such devices.
- If straps are being used to anchor the mounts, ensure any surfaces that are in contact or in close proximity to the straps are free from sharp edges or protrusions that may damage strap.
- No branches or other objects should interfere with the mounting of the system.
- Choose a mounting location where the Modular Mount can be moved up and down, as the Mount must be moved periodically to prevent damage to the tree.
- The mounting structure should be within 5% of vertical.
- Device location can support 10kN both laterally and vertically at both contact points for the QUICKjump Modular Mount.
- The QUICKjump Modular Mount must be mounted in accordance with ALL applicable guidelines for the device anchored to the system.



The intended path of patron travel to the QUICKjump Modular Mount, and the safety window designated for device operation must be free from interference. Please consult the Operator's Manual for the device mounted to the QUICKjump Modular Mount for any questions.



The landing zone should be flat cushioned with pads, mulch or another method to soften participants' landing. Landing on a hard or uneven surface could result in injury.



WARNING

When using a tree as the mounting structure, consult with an arborist to evaluate the health and structural integrity of the tree. Mounting on a tree of insufficient strength can result in the collapse of the Modular Mount, causing serious injury or death.

Mounting

QUICKjump Modular Mount can only be mounted using the methods and hardware described in this manual. When installing the Universal Mount, be aware of the following precautions:

- Anchor points must be capable of withstanding a minimum load of 10kN (2248 lbf) in the expected direction of load application.
- All connectors, hooks, D-rings, and shackles used to mount the Universal Mount and associated equipment must comply with all relevant standards.
- All secondary connectors must be of compatible size, shape, and strength to the mounting point to which they are attached.
- Devices suspended from the QUICKjump Modular Mount must be connected via a locking carabiner or quick link rated to a minimum of 10 kN.



WARNING

After installation the QUICKjump Modular Mount should be dead loaded at the maximum weight (10 kN) for a minimum of 6 hours. Check the straps and mounts for any movement, and the structure for any signs of damage. If there is any movement, tighten the straps and test again.



WARNING

Slings, ropes and textiles cannot be directly hung from the QUICKjump Modular Mount, or they will be compromised under load.

MOUNTING POINTS



USE ONLY THE MOUNTING METHODS AND POINTS DESIGNATED IN THIS MANUAL

Use only the correct mounting points designated for use with straps or bolts. Use of incorrect points can result in equipment damage.

STRAP MOUNTING

The QUICKjump Modular Mount is designed to be mounted using straps for a portable installation, eliminating damage to trees, poles, or the mounting surface. To install the QUICKjump Modular Mount with straps, use both slots located on top and bottom of the mounting bases. When strap mounting the QUICKjump Modular Mount, be aware of the following precautions:

- The universal mount and base mount are designed for use with 5 cm (2") ratchet straps.
- Each strap must be rated to a minimum working load limit of 14 KN (3147 lbf) and comply with all relevant standards.
- Four (4) ratchet straps must be used with the QUICKjump Modular Mount at all times.
- Tighten the straps to at least 4,000 N (900 lb) of tension, or to the point where the mount cannot be pulled or deflected with the full force and the maximum weight. The QUICKjump Modular Mount should not move under working load and should be tested with non-human weights prior to use.
- Ensure any surfaces that are in contact with or in close proximity to the straps are free of sharp edges or protrusions that may damage the strap.
- Check to ensure straps do not have any twists or folds.
- The pole **MUST** have a minimum diameter of 30.5 cm (12").
- To ensure the health of the tree, the QUICKjump Modular Mount should be relocated every periodically.



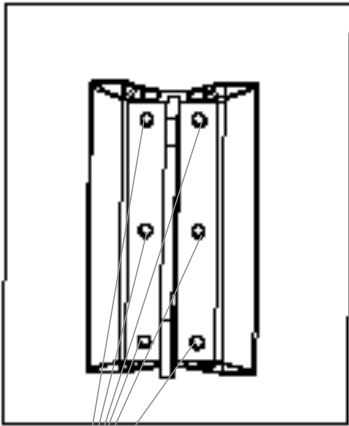
WARNING

Installation on smooth poles or low friction surfaces cannot use this method as the risk of slipping down the pole is too great. Only poles with surfaces that engage high friction between the strap and the mount can be mounted with this method.

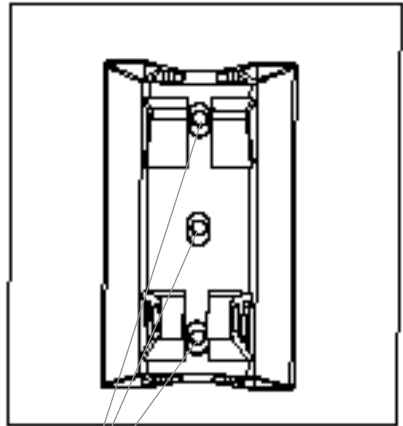
BOLT MOUNTING

The QUICKjump Modular Mount may also be mounted using the designated bolt holes in the bases. When mounting with bolts, be aware of the following precautions:

- All bolts, nuts, washers, and hardware used for mounting are to be M12 (Grade 4.6) or ½" (ASTM A307 Grade A or B).
- Use of locking nuts (stover, nylock, etc.) or thread-locking compound is strongly recommended.
- Use at least 2 x fasteners to secure the Base Mount. Use at least 4x fasteners (minimum 2 per side) to secure the Universal Mount. Fasteners must be connected to a structural component per the anchor requirements listed above.



Bolt Holes (6)



Bolt Holes (3)

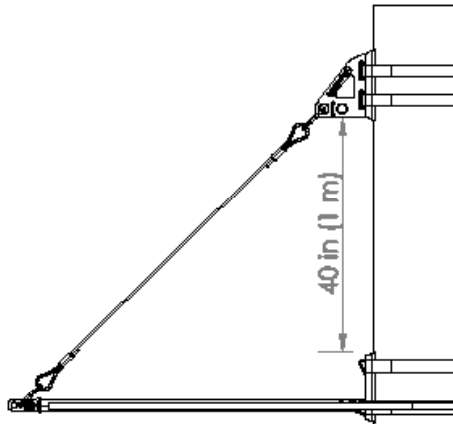
ASSEMBLING



WARNING

FAILURE TO ASSEMBLE THE QUICKJUMP MODULAR MOUNT ACCORDING TO THE PROVIDED SPECIFICATIONS MAY REDUCE THE LOAD STRENGTH, RESULTING IN SERIOUS INJURY OR DEATH OF A PARTICIPANT. Any indication of the QUICKjump Modular Mount being out of specification or worn mandates the immediate removal of the system, associated hardware, and individual parts from service.

- Determine desired location of the QUICKjump Modular Mount. If using in conjunction with other Head Rush Tech products ensure adequate heights and clearances for all devices. Refer to device operator manual for specifications.
- Attach universal mount to the chosen structure, using either the strap mount or bolt mount method described above.



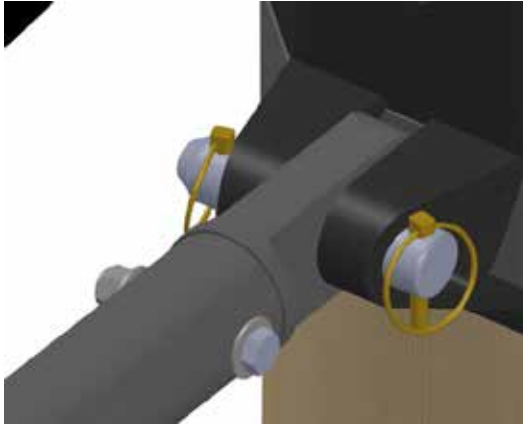
WARNING

DO NOT ATTACH LOADS TO SUPPORT BEAM.

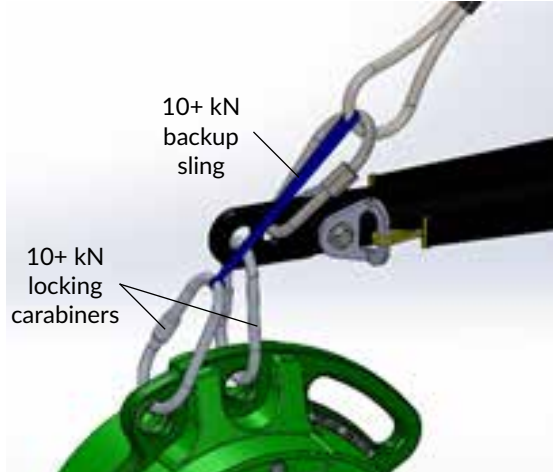
The QUICKjump Modular Mount should only be loaded through the designated hole at the end. It should never be loaded along the beam. This includes during use of descent devices, servicing or anchoring.

- Attach base mount to the pole or tree, using either the strap mount or bolt mount method. The bottom edge of the universal mount should be approximately 1 m (40") above the top edge of the base mount. Adjust the location of the mounts as needed so the support beam is level. Ensure universal mount is aligned vertically with base mount.

- Slide base mount end of support beam between bottom supports on base mount. Insert base mount pin to hold in place.
- The base mount pin is held in place on each end with a Lynch Pin. Insert the Mounting Pin into the base mount and ensure that it also goes through the wider end of the Support Beam. Insert the Lynch Pins into the holes in the Mounting Pin and ensure that the circular catches are folded closed as in the diagram.



- Connect support cable to universal mount with quick link. Tighten quick link with wrench. Mark with visible paint so that any movement in quick link lock is readily identifiable.
- Use a quick link to connect other end of support cable to the smaller hole of the two holes on the anchor point. Tighten quick link with wrench. Mark with visible paint so that any movement in quick link lock is readily identifiable.
- Connect each end of 2.5 cm (1") strap to brackets at beam end. Wrap around tree. If a strap is being used to hold the base mount to the tree, the lateral support strap should be positioned just below the 5 cm (2") strap on the tree, so that it is pulling the beam slightly downward. Tighten strap to approximately 670 N (150 lbs) of tension.
 - If mounting to flat surface, 2 additional anchor points should be installed to the side of the base mount. Attach lateral strap, and 1 additional strap to the lateral support brackets. Adjust the tension in each lateral support strap so that they are equalized, and are not pulling the support beam to one side.
- Use suitable locking carabiner or quick link (rated to 10 kN) to clip QUICK-jump or other device to anchor point.



- For a backup connection point, tether chain or sling through eye of the wire rope, and use a locking carabiner to clip it to the second hole on the QUICKjump housing. All hardware must be rated for over 10 kN (2248 lbs) working load limit.

OPERATION

Owners and purchasers of the QUICKjump Modular Mount are responsible for the safety and supervision of any person using this equipment and are required by the manufacturer to read, understand and follow all instructions in this Operator Manual regarding the correct installation and operation of the QUICKjump Modular Mount prior to use.

Do not use if high winds, lightning, or other harsh weather conditions are present. If structure or nearby object is struck by lightning, remove QUICKjump Modular Mount from service.



UNSAFE OPERATION

Always use an independent anchor point to tether all users at height.



UNSAFE OPERATION

Remove QUICKjump Modular Mount from service immediately if there is any concern over its correct operation or user safety.

Do not return the QUICKjump Modular Mount to service until it has been inspected by an approved Head Rush Technologies Service Agent.



UNSAFE OPERATION

Users of the QUICKjump Modular Mount should jump straight away from the tree and support beam, not at an angle. The Modular Mount is not intended to support large side loads.



UNSAFE OPERATION

Users of the QUICKJUMP Modular Mount should fall straight down, and not take large leaps away from the Mount. Doing so will cause the participant to take large swings, potentially hitting branches, the structure or other obstacles while descending. Swings will also make landing more hazardous.

Operator Training

All personnel involved in the operation of the QUICKjump Modular Mount and supervision of the user must be trained and deemed competent in the following aspects of QUICKjump Modular Mount operation:

- Installation, use of attachment points, and attachment methods and hardware.
- Inspection, cleaning, and scheduled servicing of the Universal Mount and associated equipment.
- Site rescue plan
- Safely anchoring participants at height
- Assessing weather conditions, and stopping operation when lightning, heavy winds or other severe weather conditions exist.

INSPECTION & MAINTENANCE

Safety Precautions

Prior to installation and operation of QUICKjump Modular Mount, it should be fully inspected. Additional inspections are required at regular intervals of all components to ensure safe use.

Daily Inspection

Every day, prior to use, inspection must be performed on the QUICKjump Modular Mount's critical wear items. If the straps have any cuts or visible damage, the Modular Mount should not be used. If the straps have fraying the Modular Mount should not be used. All other lanyards and webbing should be similarly inspected and replaced if damaged.

Weekly Inspection

The mounting interface to the structure, whether with straps or bolts, must be inspected weekly. If there are any signs of damage, the Modular Mount should not be used until it is moved to a new location that has been determined to be safe. If questions exist as to the safety of a mounting location, stop use and consult a qualified arborist.

Clean any dust, dirt, or contamination off the QUICKjump Modular Mount and fasteners with a clean cloth.

Check mounting pins for damage and ensure that they remain secured correctly.



DO NOT USE SOLVENTS OR ABRASIVES

Clean with a cloth only. Do not use any cleaners, solvents, or abrasives on any part of the QUICKjump Modular Mount or associated equipment.

Check support beam, mounting holes, universal mount, base mount and backup anchor points for any signs of deformation, cracking, corrosion or other damage. Stop use if components appear damaged.

Installations subject to saline or other harsh environments should perform inspections more frequently.



PERIODICALLY MOVE THE ASSEMBLY FOR TREE MOUNTED SYSTEMS

Periodically moving the location of the assembly on a tree mounted system will help prevent damage to the tree. Consult your arborist.

Annual Inspection

Remove all fasteners and pins. Clean and inspect for any corrosion or damage. If fasteners are found to be in good condition reinstall ensuring thread compound or locking nuts are replaced appropriately.

Every year or on an interval specified by a qualified arborist, a qualified arborist should inspect the mounting tree to ensure that it is still healthy, and use of the QUICKjump Modular mount has not damaged or weakened the tree.

Wear Limits

The QUICKjump Modular Mount may be subjected to wear on the anchor point, bolt holes, straps, strap slots, or the fasteners. If a component is found to be damaged or worn, immediately remove from service. Replacement parts are available from Head Rush Technologies and Authorized Service Centers.

Service Life

The expected service life of the QUICKjump Modular Mount is up to 5 years, or more with proper maintenance and replacement of wear components. The QUICKjump Modular Mount has been designed for use outside and in harsh environments with a wide range of temperature and weather conditions. If a component is found to be damaged or worn during inspection, replacement parts are available from Head Rush Technologies and Authorized Service Centers.

MANUFACTURER'S DETAILS

Replacement parts for the QUICKjump Modular Mount and other related products can be purchased at store.headrushtech.com or from an Authorized Head Rush Technologies Distributor.

Return the QUICKjump Modular Mount to the manufacturer at the address shown below for any replacement or unscheduled service or repairs.

ADDRESS

Head Rush Technologies
1835 38th Street, Suite C
Boulder, CO 80301
USA

CONTACT DETAILS

+1-720-565-6885
www.headrushtech.com
info@headrushtech.com



www.headrushtech.com

info@headrushtech.com

+1-720-565-6885

Jun 2016